



ISAMIGO 3 CRANE BARGE

PRINCIPAL PARTICULARS

REGISTRY	: SINGAPORE
NOTATION	: BUREAU VERITAS (BV)
GRT / NRT	: 1270 / 381
LENGTH OA	: 48.04m
BEAM MLD	: 22m
DEPTH MLD	: 3.8m
OPERATING DRAFT	: 1.2m - 1.7m

CRANE DESCRIPTION

CRANE MODEL	: SKK 20011 GDT-N
CRANE TYPE	: REVOLVING CRANE
MAKER	: JAPAN
MAIN BOOM LENGTH	: 34m
JIB EXTENSION	: 3m

MAIN HOIST

CAPACITY	: 200Tonne (34m BOOM) 206Tonne (22m BOOM)
WORKING RADIUS	: 33.5m / 10.3m (34m BOOM)

AUXILIARY HOIST

CAPACITY	: 31Tonne
WORKING RADIUS	: 36.6m / 11.6m

MOORING

: 4 TO 8 POINT 3Tonne ANCHOR WITH 500m X 32mm DIA WIRE

DECK DESCRIPTION

DECK SPACE	: 22m X 23m
DECK CAPACITY	: 800Tonne
DECK STRENGTH	: 10Tonne/m ²

GENERATORS

: 3 X 150KVA, 220/110V, 50/60Hz
1 X 45KVA, 220/110V, 50/60Hz

COMMUNICATIONS

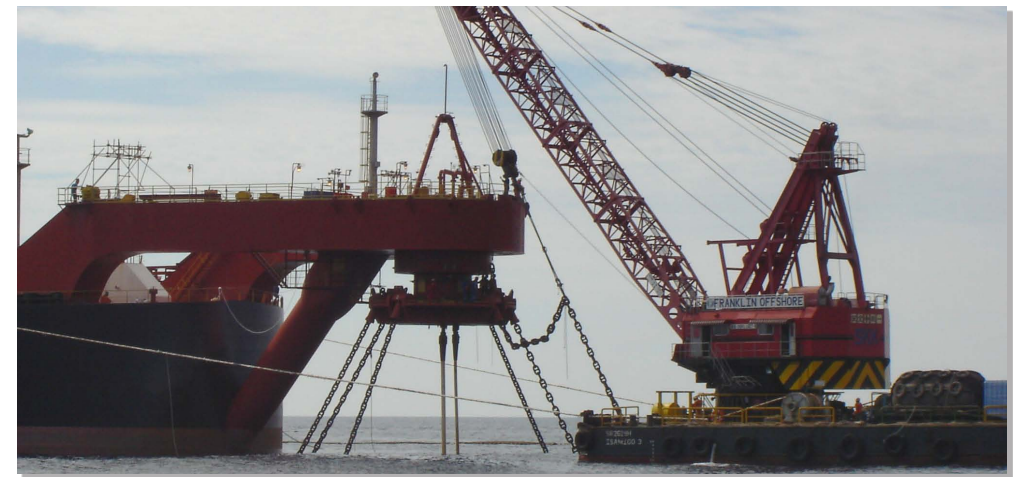
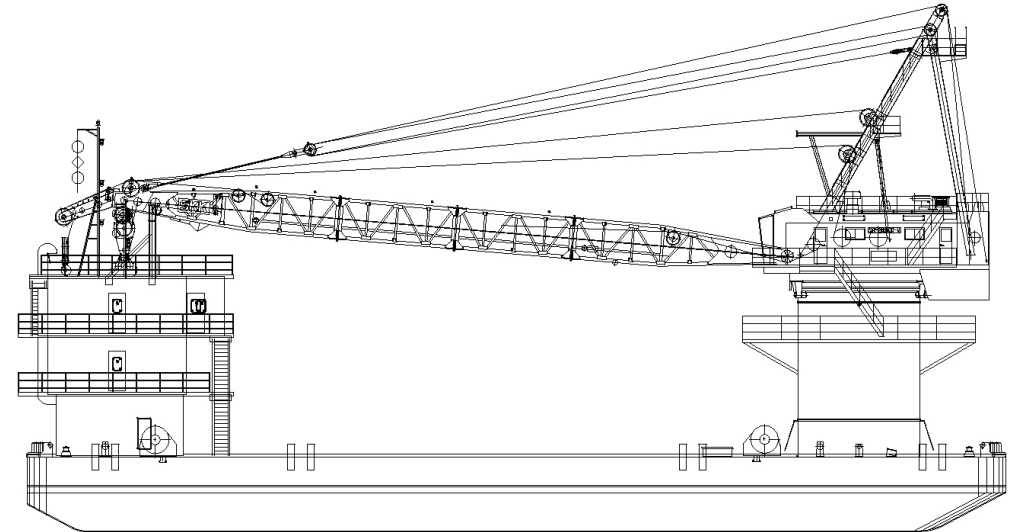
: MARINE VHF WALKIE TALKIES

TANK CAPACITIES

WATER BALLAST	: 269m ³ (C), 133.4m ³ (P), 133.4m ³ (S)
FRESH WATER	: 71.3m ³ (P), 71.3m ³ (S)
FUEL TANK	: 74.8m ³

ACCOMMODATION

: 3 X 4 MEN CABINS





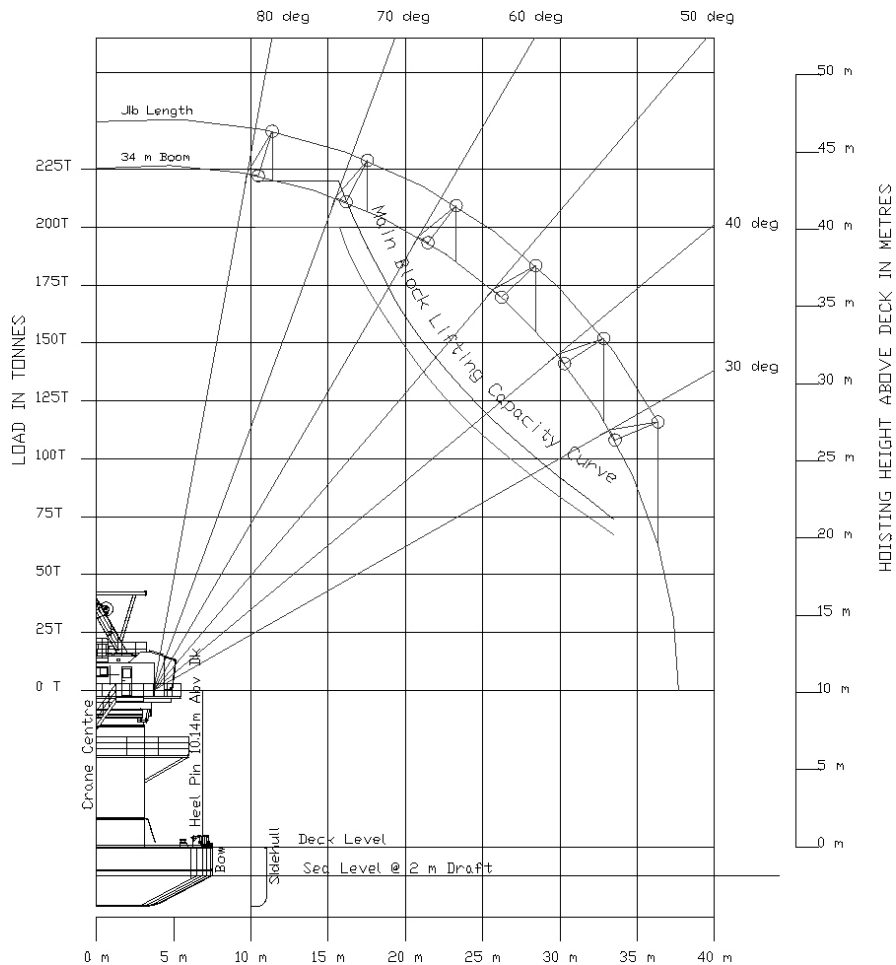
ISAMIGO 3 CRANE BARGE

ISAMIGO 3

SKK 20011 GDT-N PEDESTAL CRANE

34m BOOM

LIFTING CAPACITY CURVE (WITH PROOF LOAD AND SWL)



LOAD CAPACITY SKK 20011 GDT-N PEDESTAL CRANE

BOOM ANGLE	30.0	35.0	40.0	45.0	50.0	55.0	60.0	65.0	70.0	71.0	75.0	80.0
MAIN BLOCK CAPACITY - [SWL] (Tonne)	67.1	74.3	82.5	92.1	103.7	117.8	136.6	160.7	194.5		200.0	
MAIN BLOCK PROOF LOAD - [1.1 TIMES] (Tonne)	73.8	81.8	90.8	101.3	114.1	129.6	150.3	176.8	214.0		220.0	
MAIN BLOCK RADIUS FROM CRANE CENTRE (m)	33.5	32.0	30.2	28.3	26.1	23.8	21.3	18.7	16.0	15.7	13.2	10.3
BOOM ANGLE	31.0											
AUXILIARY HOOK RADIUS FROM CRANE CENTRE (m)	36.6	35.0	33.1	31.0	28.7	26.2	23.5	20.7	17.7	15.3	14.7	11.6

